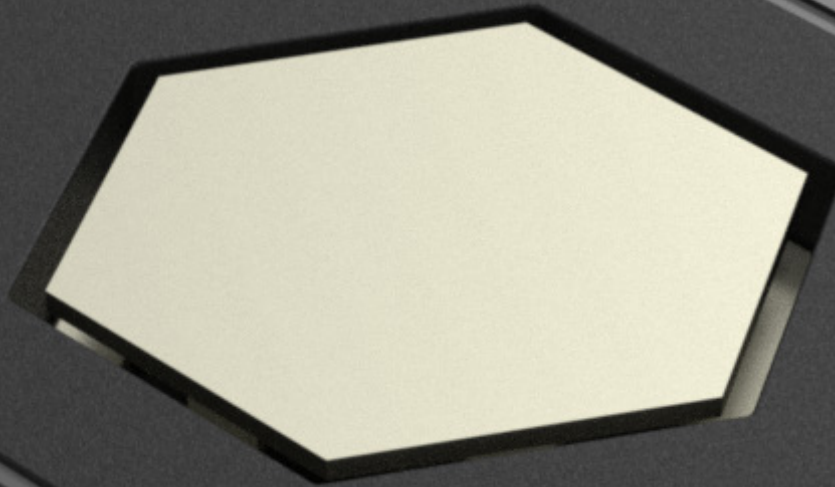


#GameChanger

In a world with infinite possibilities, why settle for ordinary?

Introducing a geometrical **#GameChanger**,
the all new Hex shower drain from Serenity™.

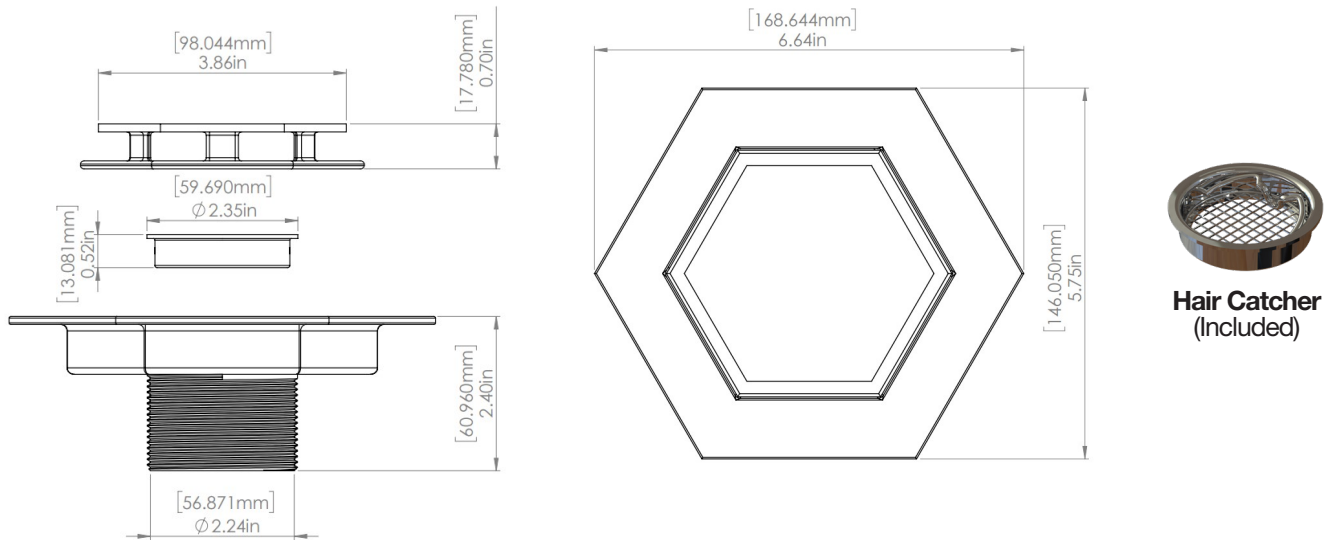
Beautifully crafted, undeniably extraordinary.



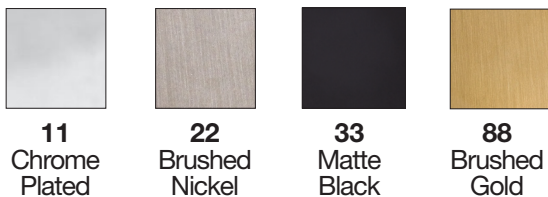
Introducing the all new geometrical #GameChanger Hex Shower Drain from Serenity™. Beautifully crafted, undeniably extraordinary.

Features:

- Solid Brass construction
- 2" Threaded Drain Outlet
- Removable Insert for easy cleaning
- Mix Trim Body and Trim Insert Finishes for a customized look
- Removable Stainless Steel Hair Catcher supplied with every Trim Top
- Underbody (sold separately) available in ABS, PVC, FR-PVC, Brass or Cast Iron in Straight and Side Discharge configurations
- All Flat Trims are Certified to ASME A112.18/2/CSA B125.2 and bear the "cCSAus" mark. They comply with the requirements of the IPC and NPC codes.



Finish Suffix



Single Finish Trim*

STYLE	PART # (Ex. BCS.502.11)	Finish Suffix - List Price			
		11	22	33	88
Single Finish Flat HEX Drain Trim for Tile Shower Bases	BCS.502.(FINISH SUFFIX)	\$325.00	\$375.00	\$450.00	\$450.00

Split Finish Trim*†

STYLE	PART # (Ex. BCS.502.33.22)	List Price
Split Finish Flat HEX Drain Trim for Tile Shower Bases	BCS.502.(TRIM BODY SUFFIX).(INSERT FINISH SUFFIX)	\$450.00

*Underbody Sold Separately

† Trim Body and Trim Insert finishes can be mixed or matched